



Also available in a Split-Core version. Request data sheet CR9380

CR9321 Self-Powered Current Switch Fixed Set Point

The **CR9321** series is a low cost, self powered, fixed set-point Current Switch designed for applications that require an on-off indication of current flow.

Current levels above the guaranteed full-on level will turn the output to full on. The Current Switch is recommended only for applications where the continuous operating current is above the rated full on level of 350 mA. Operation below this point will not drive the output device full-on and derate the output ratings.

The unit is available with a NPN or PNP output transistor for switching DC and a SCR output for switching AC. Connections can be made directly to items such as a PLC or electromechanical relay. Note that connections made directly to an inductive device such as an electromechanical relay will require a customer supplied clamping diode for DC operation or a snubber network for AC operation.



CR9321



CR9350

Specifications *

Rated full-on: 0.350 Aac RMS

Turn-on time: 100 ms max. @ rated full-on

Turn-off time: 250 ms. max. to 80% of Vce

Maximum sense current:
Continuous: 100 Aac
1 Second: 500 Aac

Frequency: *
50 to 400 Hz

Operating Temperature:
-30 °C to +60 °C

Storage Temperature:
-55 °C to +85 °C

DC Switching (-NPN or -PNP)

Vce (full off): 30 Vdc max.

Isink (full on): 120 mAac max. @ rated full-on

Vce (reverse polarity voltage): 1.2 Vdc @ 100 mA dc

Vce (full on): 1.5 Vdc @ 120 mAac Isink

Off state leakage current: 5ua @ 30 Vdc (typical)

AC Switching (-ACA)

Off state voltage: 240 Vac RMS max.

Minimum switch voltage: 24 Vac RMS

On state current: 1.0 Aac RMS max. continuous

Off state leakage: 50 ua @ 240 Vac max.

Peak Non-Repetitive Surge Current:
8 Aac RMS (1 cycle, 60 Hz.)

*All specifications for operation at 60 Hz only

Part Number

CR□□□□ - □□□ CURRENT SWITCH

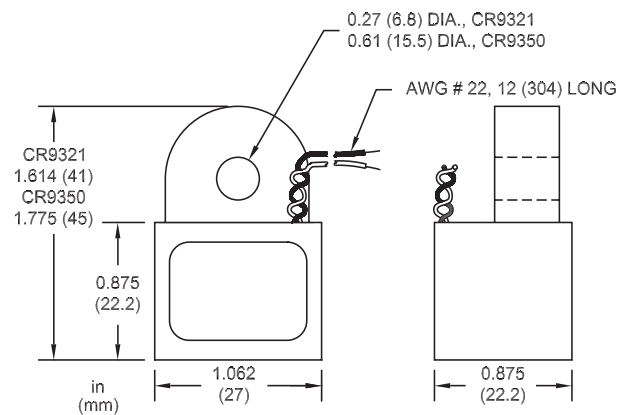
- NPN - Transistor output
- PNP - Transistor output
- ACA - AC Output

9321 - .27 Dia. window
9350 - .61 Dia. window

Features

- Low cost
- Low fixed trip point
- Fully isolated
- Reverse output polarity protected
- Self-powered

Outline Drawing



CR9321 Shown

Electrical Connections

