

## Right flange mounted disconnect multi-door enclosure

### Quick

#### Features :

- Seamless welding
- Poured gasket
- Padlock handles
- Drip shield
- Superior hinging
- 180° door opening
- Panel is included
- Panel is double bent
- Powder coated



Visit  
[www.eurobex.com](http://www.eurobex.com)  
for details.

Call us  
toll free  
1-800-363-2423

The 9500 UxD oil and dust tight right flange mounted safety disconnect enclosures are used indoors for protection against dirt, dust, oil and water splashing. One, two or three door combinations are available. The 9500 UxD are made from quality 11 GA steel with all seams continuously welded. Most center posts can be removed (refer to drawings) to facilitate the installation of the inner panel. The ball bearing hinges of the concealed die cast

hinges can be easily pulled out to remove the doors. Three point automotive padlockable handles ensure positive closing on all doors.

The new latching rod system interlocks with the disconnect handle and eliminates the need to purchase an adaptor. A door interlock is installed to ensure that the left hand door(s) (slave) can only be opened if the right hand door (master) is open and the disconnect switch is powered

off. Door and body stiffeners are provided on larger models. **Each enclosure comes complete with 10 GA inner panel(s)** which mount on M10 welded studs. A print pocket is provided. Enclosures and panels are finished with heat fused polyester powder, electrostatically applied on a phosphatized base. Box is ANSI/ASA 61 gray, panel is white. **CSA Certified / UL Listed NEMA 12-13 / IP65**

**If the 9500 UxD is to be used with a flange mounted disconnect switch or a circuit breaker, the following items must be ordered:**

#### Ordering an Allen-Bradley 1494V Disconnect switch

- an operating mechanism with the disconnect switch 1494V
- an operating handle 1494V-H1
- a connecting rod 1494V-RA1 if the enclosure is 8" deep or 1494V-RA2 if the enclosure is 12" deep
- if required, a trailer fuse block kit 1494V, a fuse clip and line and load connectors.

#### Circuit breaker

- a Westinghouse or General Electric circuit breaker.
- an operating mechanism 1494V
- an operating handle 1494V-H11
- a connecting rod 1494V-RA1 if the enclosure is 8" deep or 1494V-RA2 if the enclosure is 12" deep

#### Ordering a Cutler Hammer Disconnect switch catalog C361

- an operating mechanism with the disconnect switch
- an operating handle (C361-H2 or H4)

#### Circuit breaker operators catalog C371

- a Cutler hammer or Westinghouse circuit breaker
- an operating mechanism
- an operating handle

#### Ordering a Square D Class 9422 Disconnect switch

- an operating mechanism with the disconnect switch class 9422
- an operating mechanism handle class 9422 Type A-1

#### Circuit breaker

- a Square D circuit breaker
- an operating mechanism class 9422
- an operating mechanism handle class 9422 Type A-1

#### Ordering a General Electric Disconnect Switches

- a disconnect switch QMR or QMW
- a fuse clip kit if required
- a TDAI flange handle
- an operating mechanism, variable depth

#### Circuit breakers

- a circuit breaker
- a TDAI flange handle
- an operating handle 1494V-H11
- an operating mechanism, variable depth

#### Ordering an Asea Brown Boveri Disconnect switches

- a switch flange operated fuse if required

- a DSFHS-12 shaft
- a DSFHN-HS12 handle

#### Circuit breaker

- a circuit breaker
- an operating mechanism
- a FHS-12 shaft
- a FHN-HS12 handle

#### Ordering an I-T-E Max-Flex™ Disconnect switch

- a basic right hand switch
- a fuse kit if required
- a handle FHOHS flange mounted
- an operator FHOSO6R
- a cable FHOECO36

#### Circuit breaker

- a circuit breaker
- a set of pressure wire connectors
- a handle FHOH flange mounted
- an operating mechanism
- a standard cable 36"

#### Ordering a Westinghouse

- a disconnect switch or circuit breaker type DS
- a yoke assembly and backplate
- a rod and brace assembly
- a pivot mechanism
- an operating handle

**Disconnect switches and operating mechanisms are not furnished with the enclosures.**



Data subject to  
change without  
notice.

## Suggested Accessories



p.364



p.364



p.366



p.365



p.360

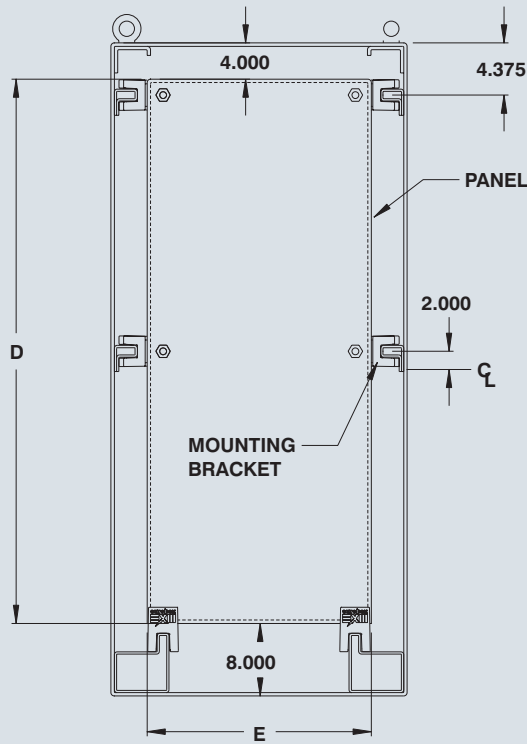
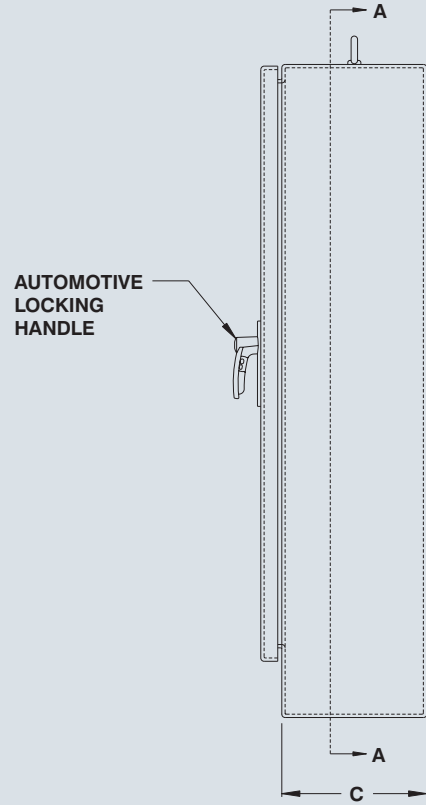
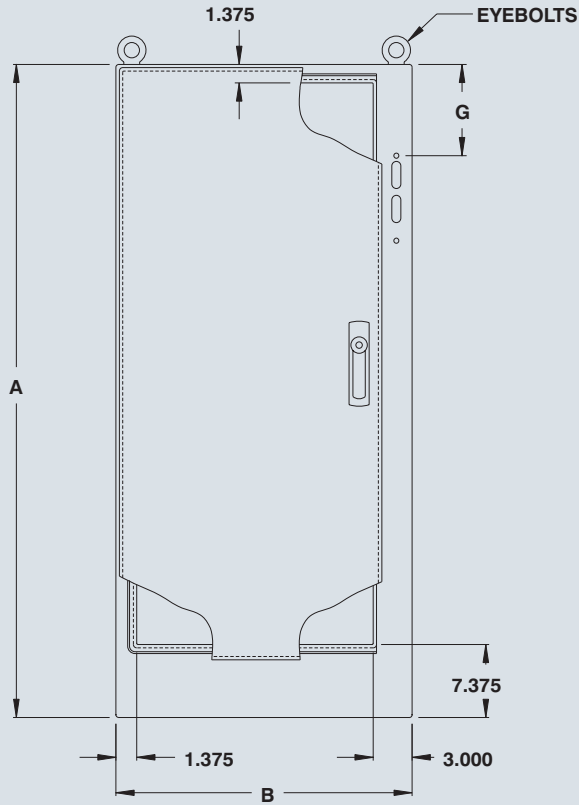


p.367



p.371

# NEMA 12-13 SAFETY DISCONNECT 9500 U1D



SECTION A-A

CATALOG NUMBER	DIMENSIONS						SHIP WGHT LBS.
	A	B	C	D	E	G	
9500 U1D722818	72	27.5	18	60	21.750	11.875	426
9500 U1D723418	72	33.5	18	60	27.750	11.875	492
9500 U1D724018	72	39.5	18	60	33.750	11.875	558
9500 U1D844018	84	39.5	18	72	33.750	17.875	641
9500 U1D904018	90	39.5	18	78	33.750	20.875	707
9500 U1D904020	90	39.5	20	78	33.750	20.875	725
9500 U1D844024	84	39.5	24	72	33.750	17.875	689
9500 U1D904024	90	39.5	24	78	33.750	20.875	755

\* For Allen Bradley Bulletin 1494F and 1494D disconnect switch piercings, add suffix 'AB' to the catalog number. (Example: 9500 U1D723418AB)  
Custom piercings are available upon request.

Data subject to change without notice.



p.375



p.376



p.378



p.384



p.368

# NEMA 12-13 SAFETY DISCONNECT 9500 U2D

### Quick Features :

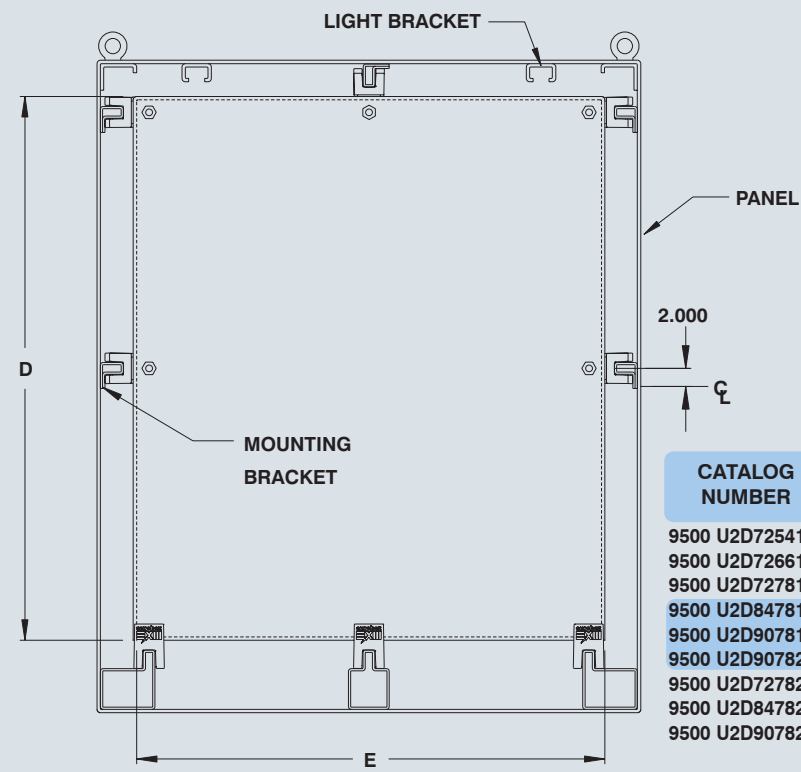
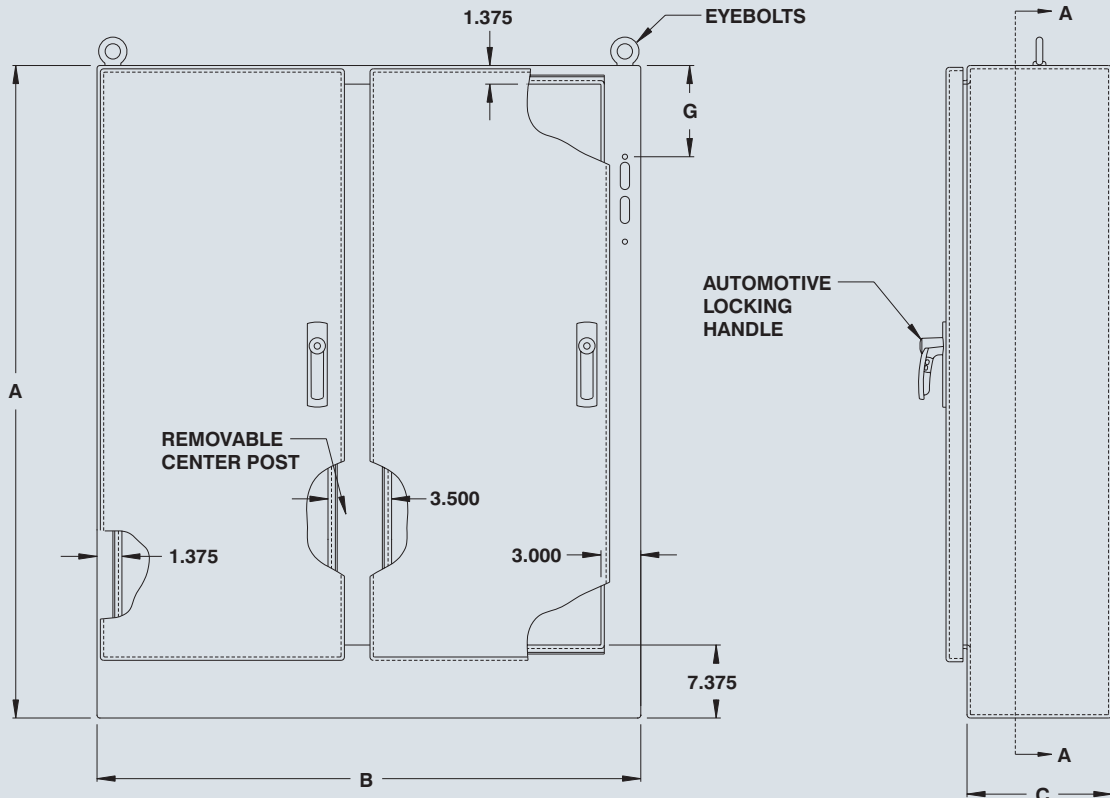
- Seamless welding
- Poured gasket
- Padlock handles
- Drip shield
- Superior hinging
- 180° door opening
- Panel is included
- Panel is double bent
- Powder coated



Visit [www.eurobex.com](http://www.eurobex.com) for details.

Call us toll free 1-800-363-2423

Data subject to change without notice.



SECTION A-A

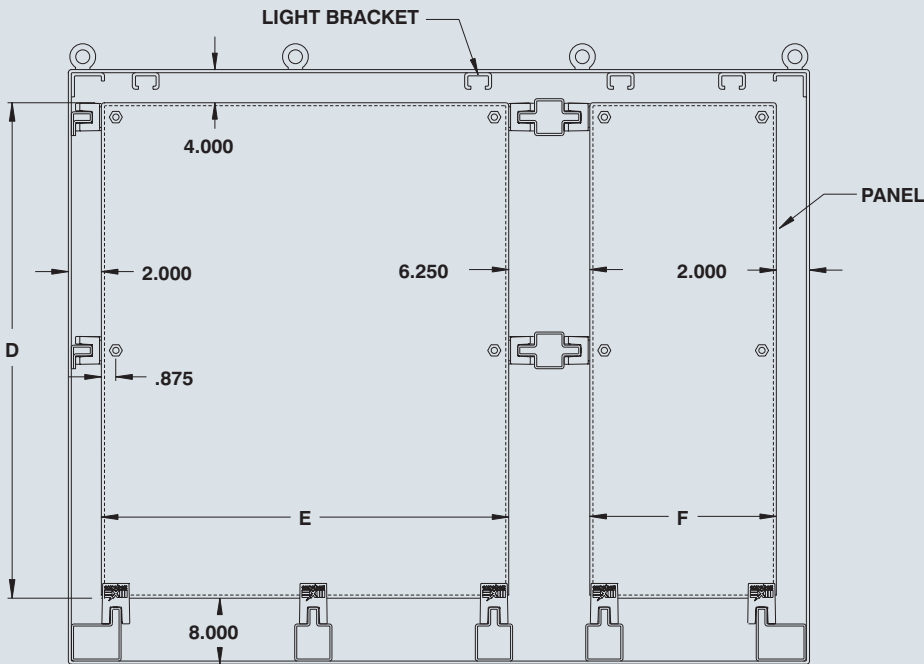
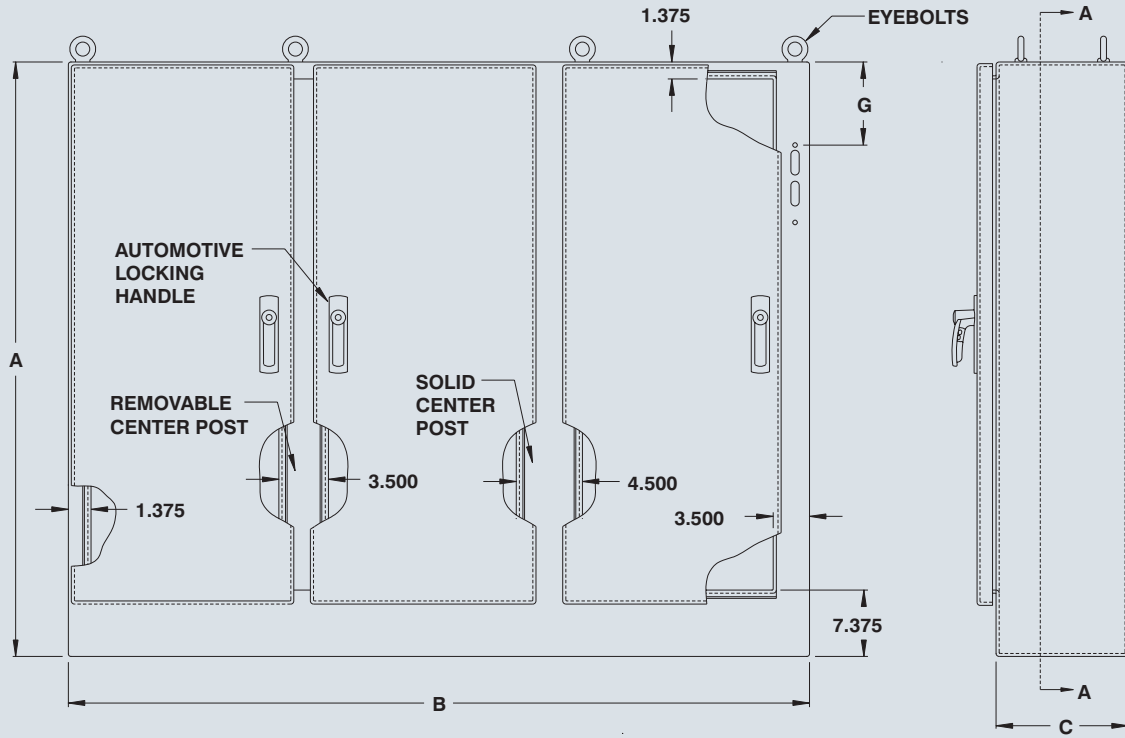
CATALOG NUMBER	DIMENSIONS						SHIP WGHT LBS.
	A	B	C	D	E	G	
9500 U2D725418	72	53.750	18	60	48	11.875	742
9500 U2D726618	72	65.750	18	60	60	11.875	894
9500 U2D727818	72	77.750	18	60	72	11.875	1027
9500 U2D847818	84	77.750	18	72	72	17.875	1110
9500 U2D907818	90	77.750	18	78	72	20.875	1196
9500 U2D907820	90	77.750	20	78	72	20.875	1286
9500 U2D727824	72	77.750	24	60	72	11.875	1190
9500 U2D847824	84	77.750	24	72	72	17.875	1265
9500 U2D907824	90	77.750	24	78	72	20.875	1343

\* For Allen Bradley Bulletin 1494F and 1494D disconnect switch piercings, add suffix 'AB' to the catalog number. (Example: 9500 U2D725418AB)

## Suggested Accessories



# NEMA 12-13 SAFETY DISCONNECT 9500 U3D



SECTION A-A

\* For Allen Bradley Bulletin 1494F and 1494D disconnect switch piercings, add suffix 'AB' to the catalog number. (Example: 9500 U3D7210018AB)  
Custom piercings are available upon request.

CATALOG NUMBER	DIMENSIONS								SHIP WGT LBS.
	A	B	C	D	E	F	G		
9500 U3D7210018	72	99.500	18	60	60	27.750	11.875	1255	
9500 U3D7211818	72	117.500	18	60	72	33.750	11.875	1483	
9500 U3D8411818	84	117.500	18	72	72	33.750	17.875	1711	
9500 U3D8411824	84	117.500	24	72	72	33.750	17.875	1826	
9500 U3D9011824	90	117.500	24	78	72	33.750	20.875	1940	

Data subject to change without notice.

