

## Stainless steel center post mounted disconnect enclosures

### Quick

#### Features :

- Seamless welding
- Poured gasket
- Padlock handles
- Drip shield
- Superior hinging
- 180° door opening
- Panel is included
- Panel is double bent
- Stainless steel



Visit  
[www.jimgray.com](http://www.jimgray.com)  
for details.

Call us  
@  
1-972-699-9976

The 5500 UCDSS oil and dust tight center post mounted safety disconnect enclosures are used indoors for protection against dirt, dust, oil and water splashing. The 5500 UCDSS are made from quality 11 GA (type 304) stainless steel with all seams continuously welded. The center post can be removed to facilitate the installation of the inner panel. The ball bearing pins of the concealed die cast hinges can be easily pulled out to remove the doors. Three

point padlockable handles ensure positive closing on both doors. The new latching rod system interlocks with the disconnect handle and eliminates the need to purchase an adaptor. A door interlock is installed to ensure that the right hand door (slave) can only be opened if the left hand door (master) is open and the disconnect switch is powered off. Enclosures have 15" floor mounting feet installed. Door and body stiffeners are provided on larger models. Each enclosure comes complete with a 10 GA inner panel which mounts on M10 welded studs. A print pocket is provided. The enclosures' exterior are unpainted and brushed smooth. The enclosures' interior and panels are finished with white heat fused polyester powder, electrostatically applied on a phosphatized base.

Each enclosure comes complete with a 10 GA inner panel which mounts on M10 welded studs. A print pocket is provided. The enclosures' exterior are unpainted and brushed smooth. The enclosures' interior and panels are finished with white heat fused polyester powder, electrostatically applied on a phosphatized base.

**CSA Certified / UL Listed  
NEMA 12-13 / IP65**

**If the 5500 UCDSS is to be used with a flange mounted disconnect switch or a circuit breaker, the following items must be ordered:**

#### Ordering an Allen-Bradley 1494V Disconnect switch

- an operating mechanism with the disconnect switch 1494V
- an operating handle 1494V-H1
- a connecting rod 1494V-RA1 if the enclosure is 8" deep or 1494V-RA2 if the enclosure is 12" deep
- if required, a trailer fuse block kit 1494V, a fuse clip and line and load connectors.

#### Circuit breaker

- a Westinghouse or General Electric circuit breaker.
- an operating mechanism 1494V
- an operating handle 1494V-H11
- a connecting rod 1494V-RA1 if the enclosure is 8" deep or 1494V-RA2 if the enclosure is 12" deep

#### Ordering a Cutler Hammer Disconnect switch catalog C361

- an operating mechanism with the disconnect switch
- an operating handle (C361-H2 or H4)

#### Circuit breaker operators catalog C371

- a Cutler hammer or Westinghouse circuit breaker
- an operating mechanism
- an operating handle

#### Ordering a Square D Class 9422 Disconnect switch

- an operating mechanism with the disconnect switch class 9422
- an operating mechanism handle class 9422 Type A-1

#### Circuit breaker

- a Square D circuit breaker
- an operating mechanism class 9422
- an operating mechanism handle class 9422 Type A-1

#### Ordering a General Electric Disconnect Switches

- a disconnect switch QMR or QMW
- a fuse clip kit if required
- a TDAI flange handle
- an operating mechanism, variable depth

#### Circuit breakers

- a circuit breaker
- a TDAI flange handle
- an operating handle 1494V-H11
- an operating mechanism, variable depth

#### Ordering an Asea Brown Boveri Disconnect switches

- a switch flange operated fuse if required

- a DSFH-12 shaft

- a DSFHN-HS12 handle

#### Circuit breaker

- a circuit breaker
- an operating mechanism
- a FHS-12 shaft
- a FHN-HS12 handle

#### Ordering an I-T-E Max-Flex™ Disconnect switch

- a basic right hand switch
- a fuse kit if required
- a handle FHOHS flange mounted
- an operator FHOSO6R
- a cable FHOECO36

#### Circuit breaker

- a circuit breaker
- a set of pressure wire connectors
- a handle FHOH flange mounted
- an operating mechanism
- a standard cable 36"

#### Ordering a Westinghouse

- a disconnect switch or circuit breaker type DS
- a yoke assembly and backplate
- a rod and brace assembly
- a pivot mechanism
- an operating handle

**Disconnect switches and operating mechanisms are not furnished with the enclosures.**



Data subject to change without notice.

## Suggested Accessories



p.364



p.364



p.366



p.365



p.360



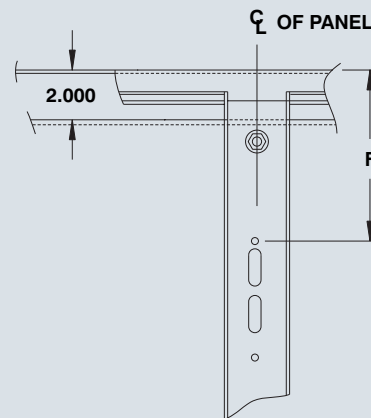
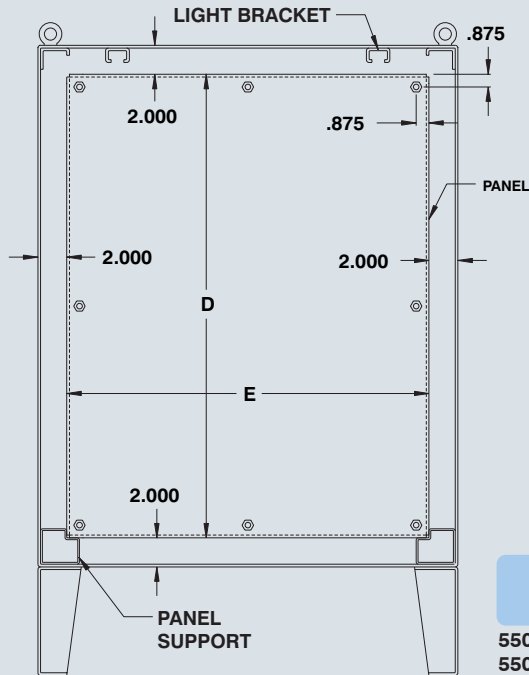
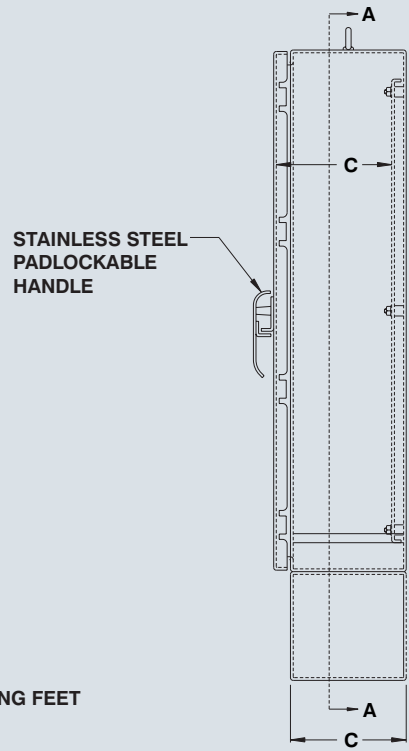
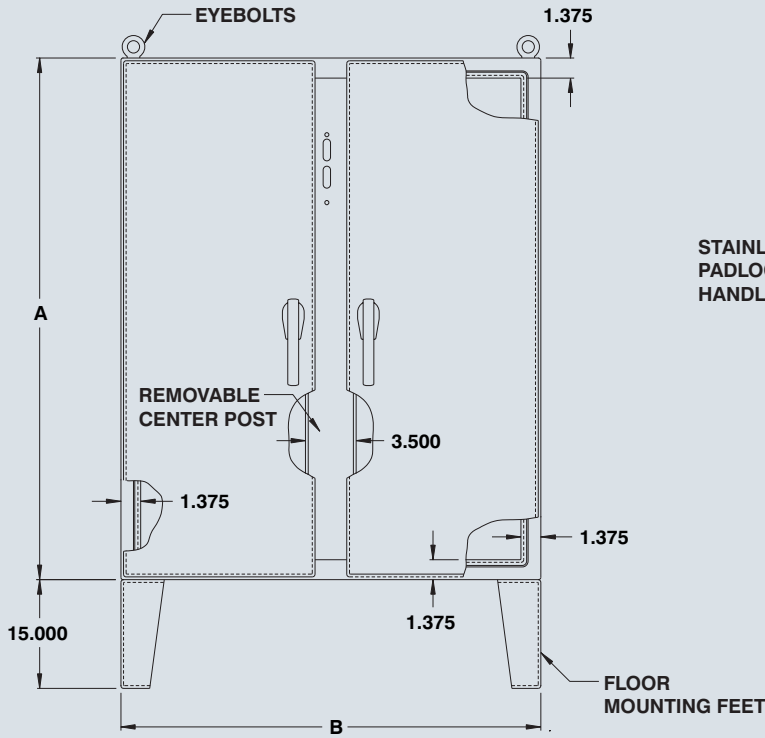
p.367



p.371

# NEMA 12-13 DISCONNECT

## 5500 UCDSS



CATALOG NUMBER	DIMENSIONS						SHIP WGHT LBS.
	A	B	C	D	E	F	
5500 UCDSS604812	60	48	12	56	44	7.875	540
5500 UCDSS606012	60	60	12	56	56	7.875	669
5500 UCDSS727212	72	72	12	68	68	13.875	920
5500 UCDSS727218	72	72	18	68	68	13.875	1000

\* For Allen Bradley Bulletin 1494F and 1494D disconnect switch piercings, add suffix 'AB' to the catalog number. (Example: 5500 UCDSS606012AB) Custom piercings are available upon request.

Data subject to change without notice.



p.375



p.376



p.378



p.384