

## Water, oil & dust tight stainless steel buttable enclosures

### Quick Features :

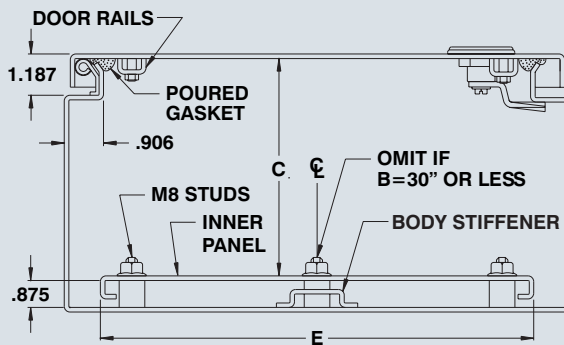
- Poured gasket
- ¼ turn lock
- Drip shield
- Superior hinging
- Buttable mounting
- Seamless welding
- Panel is included
- Panel is double bent
- Stainless steel

The 5412 ESSBU water, oil & dust tight enclosures are used indoors or outdoors in areas where a corrosion problem exists or where the enclosures may be subject to hosing or to water coming from any direction or for protection against dust, dirt or oil splashing. The 5412 ESSBU are made from quality 14 GA or 16 GA (Type 304) stainless steel, with corner seems continuously welded. The opening has a curled lip around all sides to prevent

dripping water from entering the enclosure when the door is open, it also increases rigidity. A high quality robotically poured-in-place seamless gasket ensures a complete and durable water tight seal. **The hinges are arranged to allow the installation of rows of enclosures, side by side.**

A ¼ turn locking mechanism (or 3 point latch system on larger enclosures) insures positive closing. Internal mounting holes are provided. Body stiffeners are provided on larger models. Each enclosure comes **complete with a 12 GA inner panel** which is double bent\* for maximum rigidity and which mounts on M8 welded studs. The enclosures' exterior are unpainted and brushed smooth. The enclosures' interior and panels are finished with white heat fused polyester powder, electrostatically applied on a phosphatized base.

**CSA Certified / UL Listed NEMA 4X / IP66**



CATALOG NUMBER	DIMENSIONS					SHIP WGT LBS.
	A	B	C	D	E	
5412 ESSBU121206	12	12	6	10	10	19
5412 ESSBU122406	12	24	6	10	22	35
5412 ESSBU161206	16	12	6	14	10	24
5412 ESSBU161606	16	16	6	14	14	31
5412 ESSBU162006	16	20	6	14	18	37
5412 ESSBU201206	20	12	6	18	10	29
5412 ESSBU201606	20	16	6	18	14	37
5412 ESSBU202006	20	20	6	18	18	45
5412 ESSBU202406	20	24	6	18	22	53
5412 ESSBU241206	24	12	6	22	10	35
5412 ESSBU241606	24	16	6	22	14	44
5412 ESSBU242006	24	20	6	22	18	53
5412 ESSBU242406	24	24	6	22	22	62
5412 ESSBU301606	30	16	6	28	14	53
5412 ESSBU302006	30	20	6	28	18	65
5412 ESSBU302406	30	24	6	28	22	76
5412 ESSBU362406	36	24	6	34	22	90
5412 ESSBU363006	36	30	6	34	28	109
5412 ESSBU122408	12	24	8	10	22	38
5412 ESSBU161208	16	12	8	14	10	27
5412 ESSBU161608	16	16	8	14	14	34
5412 ESSBU162008	16	20	8	14	18	41
5412 ESSBU201208	20	12	8	18	10	33
5412 ESSBU201608	20	16	8	18	14	41
5412 ESSBU202008	20	20	8	18	18	49
5412 ESSBU202408	20	24	8	18	22	57
5412 ESSBU241208	24	12	8	22	10	38
5412 ESSBU241608	24	16	8	22	14	48
5412 ESSBU242008	24	20	8	22	18	57
5412 ESSBU242408	24	24	8	22	22	67
5412 ESSBU243008	24	30	8	22	28	81
5412 ESSBU301208	30	12	8	28	10	46
5412 ESSBU301608	30	16	8	28	14	58
5412 ESSBU302008	30	20	8	28	18	70
5412 ESSBU302408	30	24	8	28	22	81
5412 ESSBU303008	30	30	8	28	28	98
5412 ESSBU303608	30	36	8	28	34	116
5412 ESSBU362408	36	24	8	34	22	95
5412 ESSBU363008	36	30	8	34	28	116
5412 ESSBU363608	36	36	8	34	34	136
5412 ESSBU422408	42	24	8	40	22	110
5412 ESSBU423008	42	30	8	40	28	133
5412 ESSBU423608	42	36	8	40	34	156
5412 ESSBU482408	48	24	8	46	22	124
5412 ESSBU483008	48	30	8	46	28	150

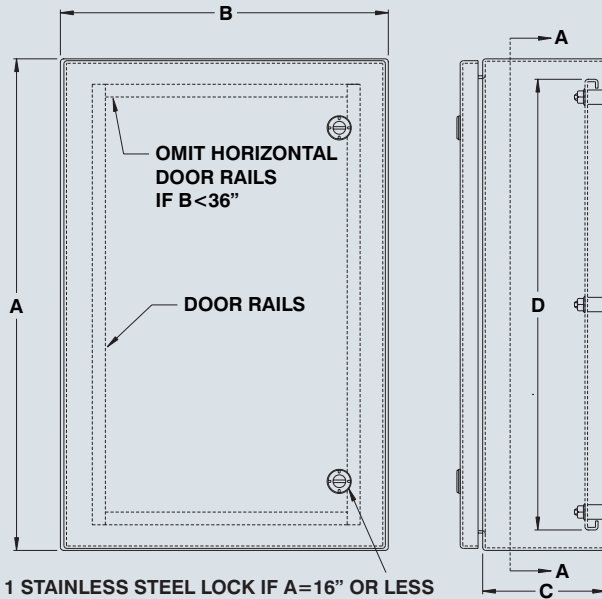
Visit [www.jimgray.com](http://www.jimgray.com) for details.

Call us 1-972-699-9976

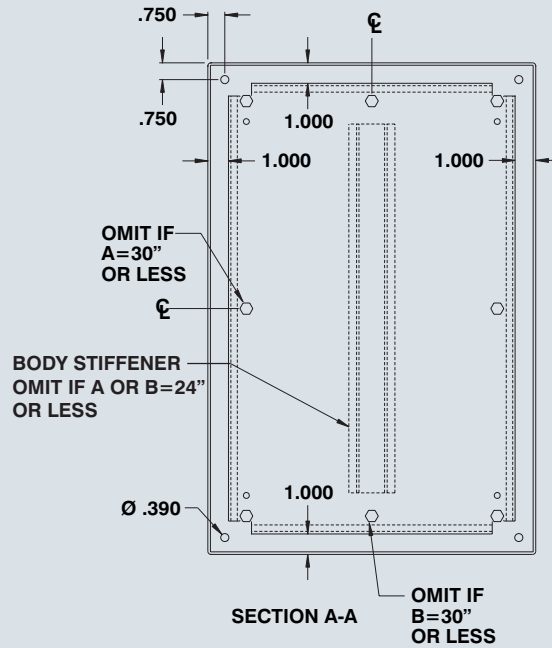
Data subject to change without notice.

## Suggested Accessories





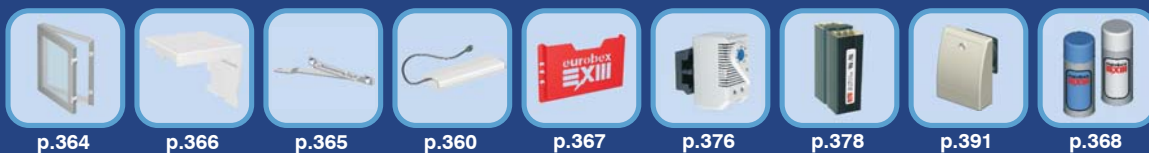
- 1 STAINLESS STEEL LOCK IF A=16" OR LESS
- 2 STAINLESS STEEL LOCKS IF A>16" AND A<42"
- 3-POINT STAINLESS STEEL HANDLE IF A=42" OR MORE



CATALOG NUMBER	DIMENSIONS					SHIP WGT LBS.	CATALOG NUMBER	DIMENSIONS					SHIP WGT LBS.
	A	B	C	D	E			A	B	C	D	E	
5412 ESSBU483608	48	36	8	46	34	177	5412 ESSBU422412	42	24	12	40	22	118
5412 ESSBU603608	60	36	8	58	34	218	5412 ESSBU423012	42	30	12	40	28	147
5412 ESSBU161210	16	12	10	14	10	30	5412 ESSBU423612	42	36	12	40	34	172
5412 ESSBU201610	20	16	10	18	14	44	5412 ESSBU482412	48	24	12	46	22	138
5412 ESSBU202010	20	20	10	18	18	53	5412 ESSBU483612	48	36	12	46	34	193
5412 ESSBU241210	24	12	10	22	10	42	5412 ESSBU602412	60	24	12	58	22	169
5412 ESSBU242010	24	20	10	22	18	62	5412 ESSBU603612	60	36	12	58	34	236
5412 ESSBU242410	24	24	10	22	22	71	5412 ESSBU723012	72	30	12	70	28	240
5412 ESSBU302010	30	20	10	28	18	74	5412 ESSBU723612	72	36	12	70	34	279
5412 ESSBU302410	30	24	10	28	22	86	5412 ESSBU242016	24	20	16	22	18	74
5412 ESSBU362410	36	24	10	34	22	101	5412 ESSBU242416	24	24	16	22	22	86
5412 ESSBU363010	36	30	10	34	28	122	5412 ESSBU302416	30	24	16	28	22	102
5412 ESSBU423010	42	30	10	40	28	140	5412 ESSBU362416	36	24	16	34	22	119
5412 ESSBU423610	42	36	10	40	34	164	5412 ESSBU363016	36	30	16	34	28	142
5412 ESSBU483010	48	30	10	46	28	158	5412 ESSBU423616	42	36	16	40	34	187
5412 ESSBU483610	48	36	10	46	34	185	5412 ESSBU483616	48	36	16	46	34	210
5412 ESSBU603610	60	36	10	58	34	227	5412 ESSBU603616	60	36	16	58	14	255
5412 ESSBU201612	20	16	12	18	14	48	5412 ESSBU723016	72	30	16	70	28	260
5412 ESSBU202012	20	20	12	18	18	57	5412 ESSBU723616	72	36	16	70	34	301
5412 ESSBU202412	20	24	12	18	22	66	5412 ESSBU302420	30	24	20	28	22	113
5412 ESSBU242012	24	20	12	22	18	66	5412 ESSBU363020	36	30	20	34	28	155
5412 ESSBU242412	24	24	12	22	22	76	5412 ESSBU483620	48	36	20	46	34	226
5412 ESSBU302412	30	24	12	28	22	92	5412 ESSBU603620	60	36	20	58	34	274
5412 ESSBU303012	30	30	12	28	28	110	5412 ESSBU723020	72	30	20	70	28	280
5412 ESSBU362412	36	24	12	34	22	107	5412 ESSBU302424	30	24	24	28	22	123
5412 ESSBU363012	36	30	12	34	28	129	5412 ESSBU723024	72	30	24	70	28	300
5412 ESSBU363612	36	36	12	34	34	150							

\* Only panels with sides 20" or more are double bent.

Data subject to change without notice.



p.364

p.366

p.365

p.360

p.367

p.376

p.378

p.391

p.368