

JIC enclosures - Clear cover

Quick Features :

- Clear cover
- Flange-mounted ¼ turn lock
- Drip shield
- Optimal mounting surface
- Seamless welding
- Poured gasket
- Panel is included
- Powder coated

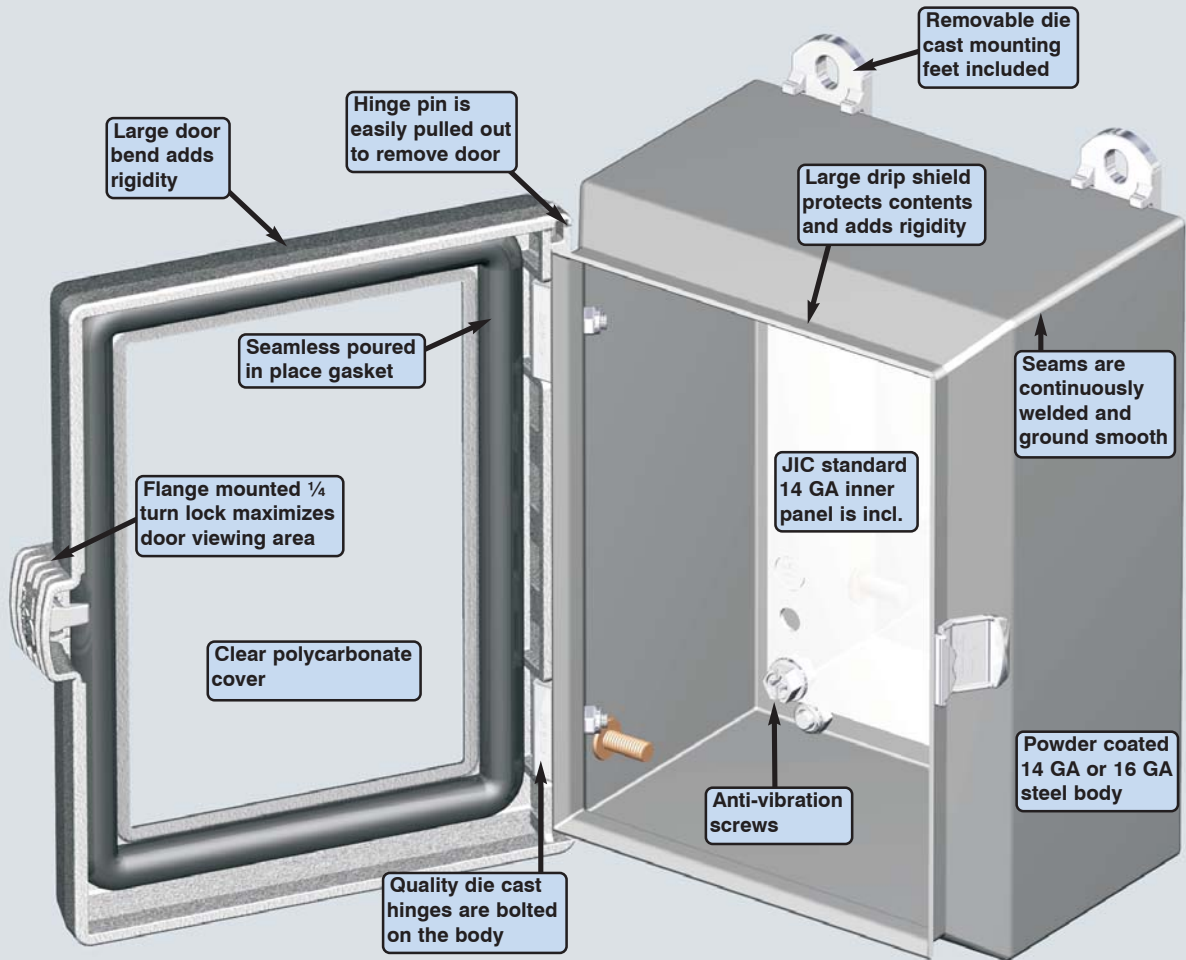
The 5412 ESCHV are used indoors or outdoors to protect the enclosed controls from dust, dirt, oil and water splashing. The enclosure bodies are made of quality 16 GA steel, with corner seems continuously welded. The cover is made of clear polycarbonate. The opening has a curled lip around all sides to prevent dripping water from entering the enclosure when the door is open, it also increases rigidity. A high quality robotically poured-in-

place seamless gasket ensures a complete and durable water tight seal. The enclosures feature die cast hinges which are bound to the clear cover by a removable hinge pin.

Eurobex's exclusive flange-mounted ¼ turn locking system insures positive closing while leaving a full clear viewing area on the door. Each enclosure comes **complete with a 14 GA inner panel** which mounts on weld nuts. The enclosure can be

internally mounted or externally mounted using the included die cast wall mounting feet. These feet have oblong holes to facilitate installation. Enclosures and panels are finished with heat fused polyester powder, electrostatically applied on a phosphatized base. Box is ANSI/ASA 61 grey, panel is white (other colors available).

**CSA Certified / UL Listed
NEMA 4-12 / IP66**



**The 5412 ESCHV -
Exclusive clear cover enclosures**



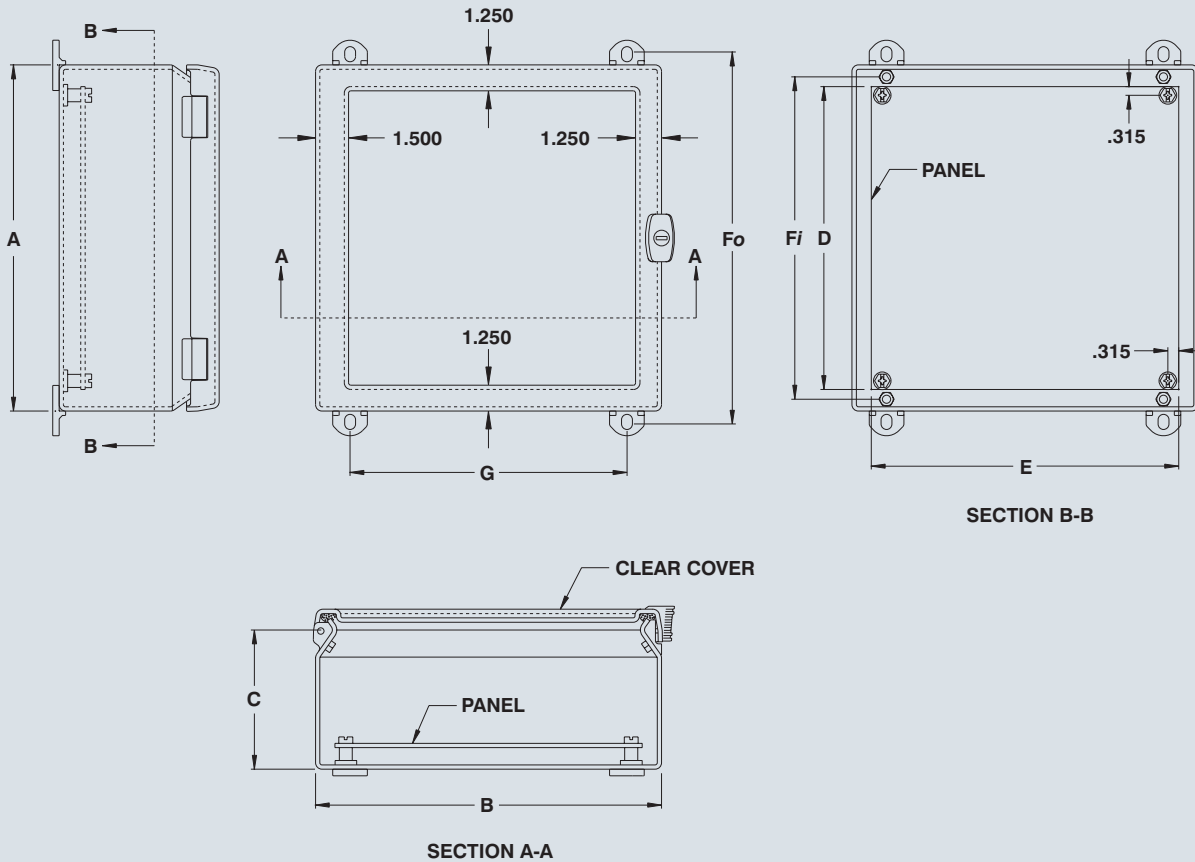
Visit www.jimdgray.com for details.

Call us 1-972-699-9976

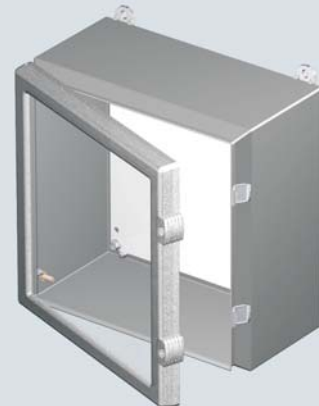
Data subject to change without notice.

Suggested Accessories





CATALOG NUMBER	DIMENSIONS								SHIP WGHT LBS.
	A	B	C	D	E	Fo	Fi	G	
5412 ESCHV100804	10	8	4	2.88	6.88	10.75	9.312	6	8
5412 ESCHV121205	12	12	5	10.88	10.88	12.75	11.312	10	18
5412 ESCHV100806	10	8	6	2.88	6.88	10.75	9.312	6	10
5412 ESCHV121206	12	12	6	10.88	10.88	12.75	11.312	10	18
5412 ESCHV161206	16	12	6	14.88	10.88	16.75	15.312	10	19
5412 ESCHV161208	16	12	8	14.88	10.88	16.75	15.312	10	20



Data subject to change without notice.