

Large weatherproof enclosures

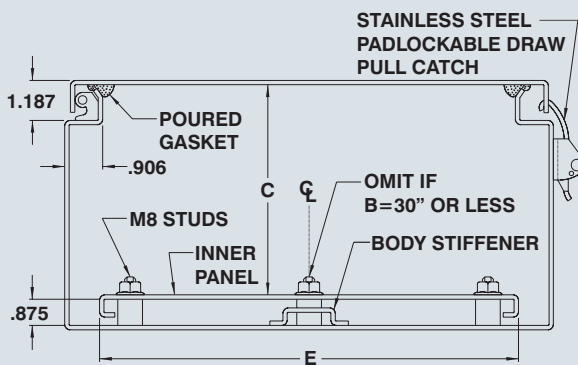
- Quick Features :**
- Seamless welding
 - Seamless poured gasket
 - Padlock pull catch
 - Drip shield
 - Superior hinging
 - 180° door opening
 - Panel is included
 - Panel is double bent
 - Powder coated

The 5300 ES large single door weatherproof enclosures are used as junction boxes or control boxes in outdoor installations or indoors where dripping water is a problem. These enclosures are designed to protect equipment against rain, sleet and snow. The 5300 ES are made from quality 14 GA or 16 GA steel, with corner seems continuously welded. The opening has a curled lip around all sides to prevent dripping water from entering the

enclosure when the door is open, it also increases rigidity. A high quality robotically poured-in-place seamless gasket ensures a complete and durable weather-tight seal. The pins of the concealed hinges can be pulled out to remove the door. A padlockable stainless steel draw pull catch ensures positive closing. Internal mounting holes are provided (optional external wall mounting feet are available). Body stiffeners are provided on

larger models. Each enclosure comes complete with a 12 GA inner panel which is double bent* for maximum rigidity and which mounts on M8 welded studs. Enclosures and panels are finished with heat fused polyester powder, electrostatically applied on a phosphatized base. Box is ANSI/ASA 61 gray, panel is white (other colors available).

CSA Certified / UL Listed
NEMA 3 / IP64



Shown with optional 880 ESDS drip shield, see page 365.

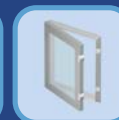
CATALOG NUMBER	DIMENSIONS					SHIP WGT LBS.
	A	B	C	D	E	
5300 ES121206	12	12	6	10	10	19
5300 ES122406	12	24	6	10	22	35
5300 ES161206	16	12	6	14	10	24
5300 ES161606	16	16	6	14	14	31
5300 ES162006	16	20	6	14	18	37
5300 ES201206	20	12	6	18	10	29
5300 ES201606	20	16	6	18	14	37
5300 ES202006	20	20	6	18	18	45
5300 ES202406	20	24	6	18	22	53
5300 ES241206	24	12	6	22	10	35
5300 ES241606	24	16	6	22	14	44
5300 ES242006	24	20	6	22	18	53
5300 ES242406	24	24	6	22	22	62
5300 ES301606	30	16	6	28	14	53
5300 ES302006	30	20	6	28	18	65
5300 ES302406	30	24	6	28	22	76
5300 ES362406	36	24	6	34	22	90
5300 ES363006	36	30	6	34	28	109
5300 ES122408	12	24	8	10	22	38
5300 ES161208	16	12	8	14	10	27
5300 ES161608	16	16	8	14	14	34
5300 ES162008	16	20	8	14	18	41
5300 ES201208	20	12	8	18	10	33
5300 ES201608	20	16	8	18	14	41
5300 ES202008	20	20	8	18	18	49
5300 ES202408	20	24	8	18	22	57
5300 ES241208	24	12	8	22	10	38
5300 ES241608	24	16	8	22	14	48
5300 ES242008	24	20	8	22	18	57
5300 ES242408	24	24	8	22	22	67
5300 ES243008	24	30	8	22	28	81
5300 ES301208	30	12	8	28	10	46
5300 ES301608	30	16	8	28	14	58
5300 ES302008	30	20	8	28	18	70
5300 ES302408	30	24	8	28	22	81
5300 ES303008	30	30	8	28	28	98
5300 ES303608	30	36	8	28	34	116
5300 ES362408	36	24	8	34	22	95
5300 ES363008	36	30	8	34	28	116
5300 ES363608	36	36	8	34	34	136
5300 ES422408	42	24	8	40	22	110
5300 ES423008	42	30	8	40	28	133

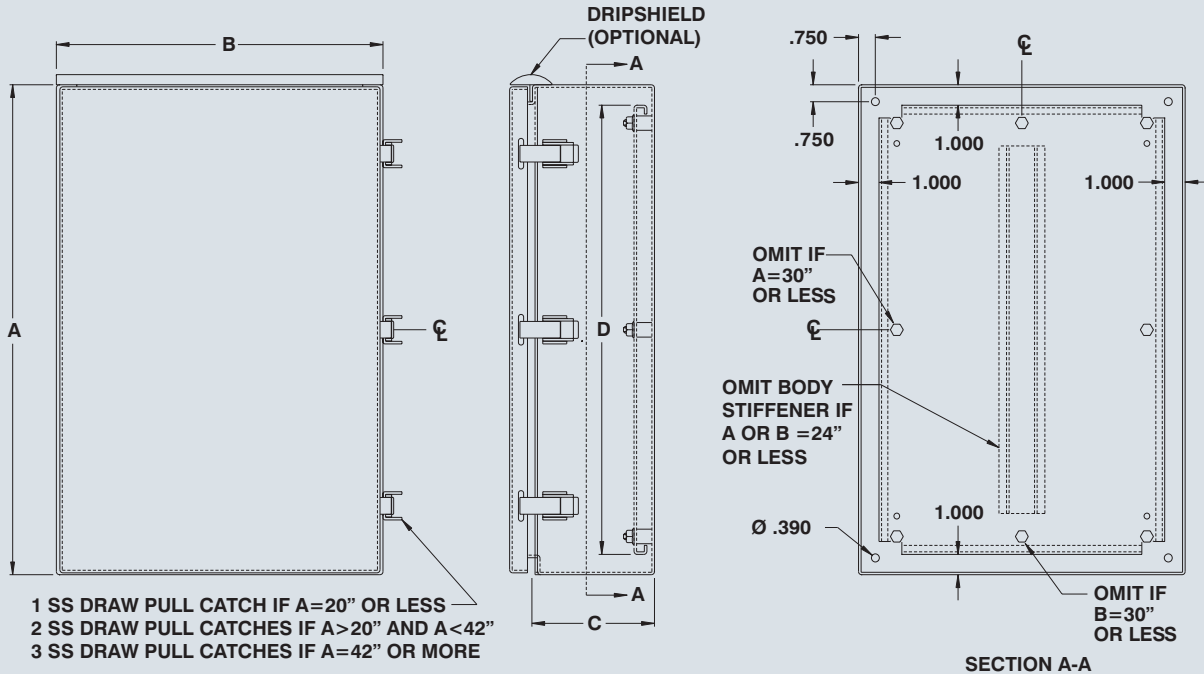
Visit www.jimgray.com for details.

Call us 1-972-699-9976

Data subject to change without notice.

Suggested Accessories





CATALOG NUMBER	DIMENSIONS					SHIP WGT LBS.	CATALOG NUMBER	DIMENSIONS					SHIP WGT LBS.
	A	B	C	D	E			A	B	C	D	E	
5300 ES423608	42	36	8	40	34	156	5300 ES363012	36	30	12	34	28	129
5300 ES482408	48	24	8	46	22	124	5300 ES363612	36	36	12	34	34	150
5300 ES483008	48	30	8	46	28	150	5300 ES422412	42	24	12	40	22	118
5300 ES483608	48	36	8	46	34	177	5300 ES423012	42	30	12	40	28	147
5300 ES603608	60	36	8	58	34	218	5300 ES423612	42	36	12	40	34	172
5300 ES161210	16	12	10	14	10	30	5300 ES482412	48	24	12	46	22	138
5300 ES201610	20	16	10	18	14	44	5300 ES483612	48	36	12	46	34	193
5300 ES202010	20	20	10	18	18	53	5300 ES602412	60	24	12	58	22	169
5300 ES241210	24	12	10	22	10	42	5300 ES603612	60	36	12	58	34	236
5300 ES242010	24	20	10	22	18	62	5300 ES723012	72	30	12	70	28	240
5300 ES242410	24	24	10	22	22	71	5300 ES723612	72	36	12	70	34	279
5300 ES302010	30	20	10	28	18	74	5300 ES242016	24	20	16	22	18	74
5300 ES302410	30	24	10	28	22	86	5300 ES242416	24	24	16	22	22	86
5300 ES362410	36	24	10	34	22	101	5300 ES302416	30	24	16	28	22	102
5300 ES363010	36	30	10	34	28	122	5300 ES362416	36	24	16	34	22	119
5300 ES423010	42	30	10	40	28	140	5300 ES363016	36	30	16	34	28	142
5300 ES423610	42	36	10	40	34	164	5300 ES423616	42	36	16	40	34	187
5300 ES483010	48	30	10	46	28	158	5300 ES483616	48	36	16	46	34	210
5300 ES483610	48	36	10	46	34	185	5300 ES603616	60	36	16	58	14	255
5300 ES603610	60	36	10	58	34	227	5300 ES723016	72	30	16	70	28	260
5300 ES201612	20	16	12	18	14	48	5300 ES723616	72	36	16	70	34	301
5300 ES202012	20	20	12	18	18	57	5300 ES302420	30	24	20	28	22	113
5300 ES202412	20	24	12	18	22	66	5300 ES363020	36	30	20	34	28	155
5300 ES242012	24	20	12	22	18	66	5300 ES483620	48	36	20	46	34	226
5300 ES242412	24	24	12	22	22	76	5300 ES603620	60	36	20	58	34	274
5300 ES302412	30	24	12	28	22	92	5300 ES723020	72	30	20	70	28	280
5300 ES303012	30	30	12	28	28	110	5300 ES302424	30	24	24	28	22	123
5300 ES362412	36	24	12	34	22	107	5300 ES723024	72	30	24	70	28	300

* Only panels with sides 20" or more are double bent.
 † Only enclosures with depths 12" or less are continuously welded.

Data subject to change without notice.

