

## Safety disconnect enclosures

- Quick Features :**
- Seamless welding
  - Door handle
  - Drip shield
  - Superior hinging
  - 180° door opening
  - Panel is included
  - Panel is double bent
  - Powder coated



Visit [www.jimgray.com](http://www.jimgray.com) for details.

Call us 1-972-699-9976

The 5100 ESY right flange-mounted safety disconnect enclosures are used where the control installation does not demand a high degree of protection (such as watertight or dust tight), but where a quality enclosure is warranted. The 5100 ESY are made from quality 14 GA or 16 GA steel, with corner seams continuously welded. The opening has a curled lip around three sides to prevent dripping water from entering the enclosure when the door is open, it also increases

rigidity. The pins of the concealed hinges can be pulled out to remove the door. The 5100 ESY features a convenient factory-installed door handle which interlocks with the disconnect switch and facilitates the installation of the enclosure, streamlines the ordering process and increases the ease of use of the enclosure. Enclosures higher than 42" are equipped with a 3 point locking mechanism while smaller enclosures come with a 2 point locking mechanism. Door and body stiff-

eners are also provided on larger models. Internal mounting holes are provided. Each enclosure comes complete with a 12 GA inner panel which is double bent for maximum rigidity and which mounts on M8 welded studs. Enclosures and panels are finished with heat fused polyester powder, electrostatically applied on a phosphatized base. Box is ANSI/ASA 61 gray, panel is white (other colors available).

**CSA Certified / UL Listed  
NEMA 1 / IP20**

**If the 5100 ESY is to be used with a flange mounted disconnect switch or a circuit breaker, the following items must be ordered:**

**Ordering an Allen-Bradley 1494V Disconnect switch**

- an operating mechanism with the disconnect switch 1494V
- an operating handle 1494V-H1
- a connecting rod 1494V-RA1 if the enclosure is 8" deep or 1494V-RA2 if the enclosure is 12" deep
- if required, a trailer fuse block kit 1494V, a fuse clip and line and load connectors.

**Circuit breaker**

- a Westinghouse or General Electric circuit breaker.
- an operating mechanism 1494V
- an operating handle 1494V-H11
- a connecting rod 1494V-RA1 if the enclosure is 8" deep or 1494V-RA2 if the enclosure is 12" deep

**Ordering a Cutler Hammer Disconnect switch catalog C361**

- an operating mechanism with the disconnect switch
- an operating handle (C361-H2 or H4)

**Circuit breaker operators catalog C371**

- a Cutler hammer or Westinghouse circuit breaker
- an operating mechanism
- an operating handle

**Ordering a Square D Class 9422 Disconnect switch**

- an operating mechanism with the disconnect switch class 9422
- an operating mechanism handle class 9422 Type A-1

**Circuit breaker**

- a Square D circuit breaker
- an operating mechanism class 9422
- an operating mechanism handle class 9422 Type A-1

**Ordering a General Electric Disconnect Switches**

- a disconnect switch QMR or QMW
- a fuse clip kit if required
- a TDAI flange handle
- an operating mechanism, variable depth

**Circuit breakers**

- a circuit breaker
- a TDAI flange handle
- an operating handle 1494V-H11
- an operating mechanism, variable depth

**Ordering an Asea Brown Boveri Disconnect switches**

- a switch flange operated fuse if required

- a DSFHS-12 shaft
- a DSFHN-HS12 handle

**Circuit breaker**

- a circuit breaker
- an operating mechanism
- a FHS-12 shaft
- a FHN-HS12 handle

**Ordering an I-T-E Max-FlexTM Disconnect switch**

- a basic right hand switch
- a fuse kit if required
- a handle FHOHS flange mounted
- an operator FHOSO6R
- a cable FHOECO36

**Circuit breaker**

- a circuit breaker
- a set of pressure wire connectors
- a handle FHOH flange mounted
- an operating mechanism
- a standard cable 36"

**Ordering a Westinghouse**

- a disconnect switch or circuit breaker type DS
- a yoke assembly and backplate
- a rod and brace assembly
- a pivot mechanism
- an operating handle

**Disconnect switches and operating mechanisms are not furnished with the enclosures.**



Data subject to change without notice.

## Suggested Accessories



p.351



p.344



p.364



p.364



p.366



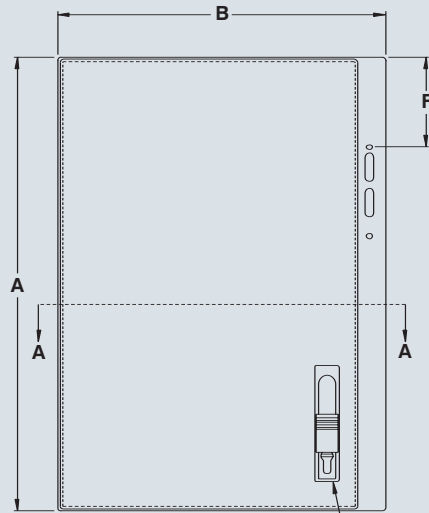
p.365



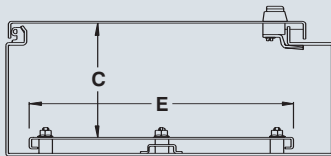
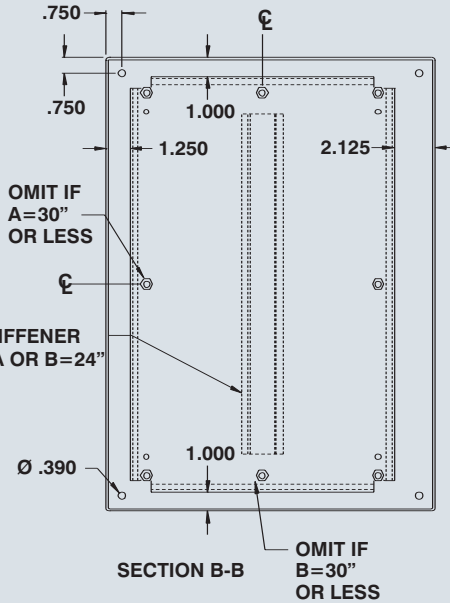
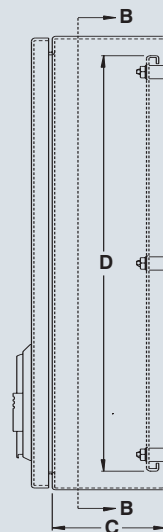
p.360

# NEMA 1 SAFETY DISCONNECT

# 5100 ESY



2 POINT LOCK IF A=36" OR LESS  
3 POINT LOCK IF A>36"



SECTION A-A

† Only panels with sides 20" or more are double bent.

\* This enclosure will accept only the Allen-Bradley DS 200 and the DS 400 disconnect class.

| CATALOG NUMBER    | DIMENSIONS |        |    |    |    |        | SHIP WGHT LBS. |
|-------------------|------------|--------|----|----|----|--------|----------------|
|                   | A          | B      | C  | D  | E  | F      |                |
| 5100 ESY202108    | 20         | 21.375 | 8  | 18 | 18 | 4.750  | 51             |
| 5100 ESY242108    | 24         | 21.375 | 8  | 22 | 18 | 4.750  | 61             |
| 5100 ESY242508    | 24         | 25.375 | 8  | 22 | 22 | 4.750  | 67             |
| 5100 ESY302108    | 30         | 21.375 | 8  | 28 | 18 | 4.750  | 74             |
| 5100 ESY302508    | 30         | 25.375 | 8  | 28 | 22 | 4.750  | 85             |
| 5100 ESY362508    | 36         | 25.375 | 8  | 34 | 22 | 4.750  | 100            |
| 5100 ESY363108    | 36         | 31.375 | 8  | 34 | 28 | 4.750  | 121            |
| 5100 ESY423108    | 42         | 31.375 | 8  | 40 | 28 | 4.750  | 137            |
| 5100 ESY423708    | 42         | 37.375 | 8  | 40 | 34 | 4.750  | 154            |
| 5100 ESY483708    | 48         | 37.375 | 8  | 46 | 34 | 4.750  | 172            |
| 5100 ESY603708    | 60         | 37.375 | 8  | 58 | 34 | 4.750  | 245            |
| 5100 ESY202110    | 20         | 21.375 | 10 | 18 | 18 | 7.094  | 55             |
| 5100 ESY242110    | 24         | 21.375 | 10 | 22 | 18 | 7.094  | 68             |
| 5100 ESY242510    | 24         | 25.375 | 10 | 22 | 22 | 7.094  | 75             |
| 5100 ESY302110    | 30         | 21.375 | 10 | 28 | 18 | 7.094  | 78             |
| 5100 ESY302510    | 30         | 25.375 | 10 | 28 | 22 | 7.094  | 90             |
| 5100 ESY362510    | 36         | 25.375 | 10 | 34 | 22 | 7.094  | 110            |
| 5100 ESY363110    | 36         | 31.375 | 10 | 34 | 28 | 7.094  | 126            |
| 5100 ESY423110    | 42         | 31.375 | 10 | 40 | 28 | 7.094  | 143            |
| 5100 ESY423710    | 42         | 37.375 | 10 | 40 | 34 | 7.094  | 193            |
| 5100 ESY483710    | 48         | 37.375 | 10 | 46 | 34 | 7.094  | 211            |
| 5100 ESY603710    | 60         | 37.375 | 10 | 58 | 34 | 7.094  | 250            |
| 5100 ESY302512    | 30         | 25.375 | 12 | 28 | 22 | 11.625 | 100            |
| 5100 ESY363112    | 36         | 31.375 | 12 | 34 | 28 | 11.625 | 130            |
| 5100 ESY423112    | 42         | 31.375 | 12 | 40 | 28 | 11.625 | 150            |
| 5100 ESY423712    | 42         | 37.375 | 12 | 40 | 34 | 11.625 | 200            |
| 5100 ESY483712    | 48         | 37.375 | 12 | 46 | 34 | 11.625 | 220            |
| 5100 ESY603712    | 60         | 37.375 | 12 | 58 | 34 | 11.625 | 257            |
| 5100 ESY363116    | 36         | 31.375 | 16 | 34 | 28 | 11.625 | 150            |
| 5100 ESY483716    | 48         | 37.375 | 16 | 46 | 34 | 11.625 | 232            |
| 5100 ESY603716    | 60         | 37.375 | 16 | 58 | 34 | 11.625 | 265            |
| * 5100 ESYB603712 | 60         | 37.375 | 12 | 58 | 34 | 18.375 | 257            |

Data subject to change without notice.



p.367

p.371

p.375

p.376

p.378

p.384

p.368