

## Double door utility enclosures

- Quick Features :**
- Seamless welding
  - 1/4 turn lock
  - Drip shield
  - Superior hinging
  - 180° door opening
  - Panel is included
  - Panel is double bent
  - Powder coated



Visit [www.jimdgray.com](http://www.jimdgray.com) for details.

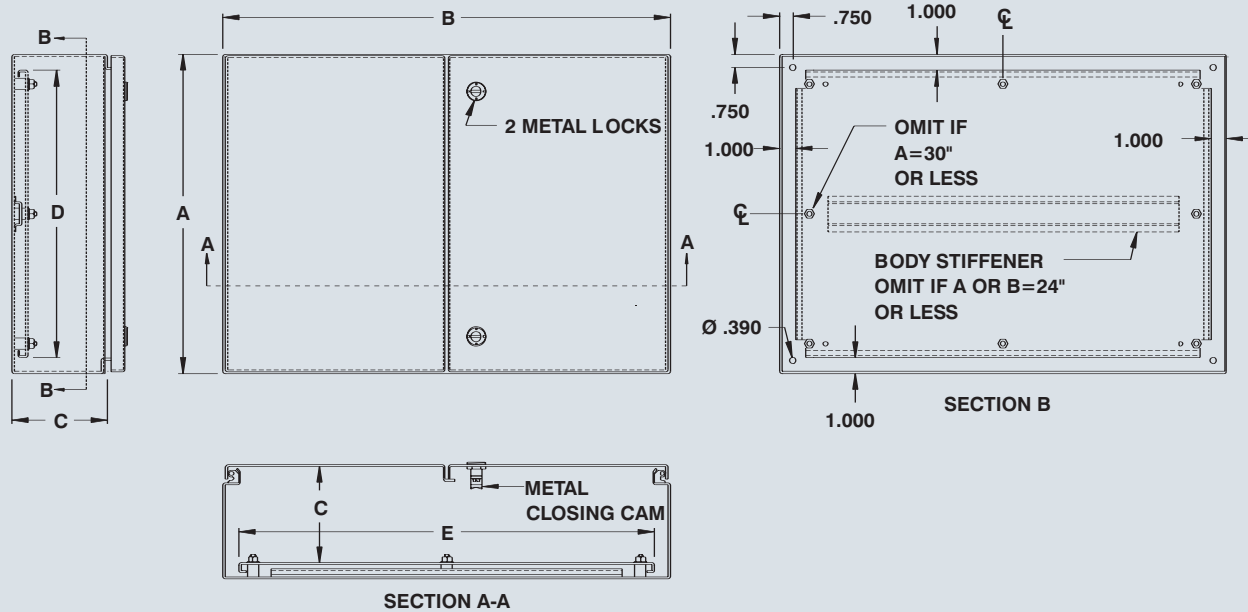
Call us 1-972-699-9976

The 5100 ESDD are used where the control installation does not demand a high degree of protection (such as watertight or dust tight), but where a quality enclosure is warranted. The 5100 ESDD are made from quality 14 GA steel, with corner seems continuously welded. The opening has a curled lip around all sides to prevent dripping water from

entering the enclosure when the door is open, it also increases rigidity. The pins of the concealed hinges can be pulled out to remove the door. A 1/4 turn locking mechanism insures positive closing. Internal mounting holes are provided. Body stiffeners are provided on larger models. Each enclosure comes complete with a 12 GA inner panel which is dou-

ble bent for maximum rigidity and which mounts on M8 welded studs. Enclosures and panels are finished with heat fused polyester powder, electrostatically applied on a phosphatized base. Box is ANSI/ASA 61 gray, panel is white (other colors available).

**CSA Certified / UL Listed  
NEMA 1 / IP20**



CATALOG NUMBER	DIMENSIONS					SHIP WGHT LBS.
	A	B	C	D	E	
5100 ESDD244208	24	42	8	22	40	100
5100 ESDD244808	24	48	8	22	46	110
5100 ESDD544208	54	42	8	52	40	400
5100 ESDD244210	24	42	10	22	40	108
5100 ESDD304210	30	42	10	28	40	116
5100 ESDD304810	30	48	10	28	46	126
5100 ESDD306010	30	60	10	28	58	166
5100 ESDD364212	36	42	12	34	40	178
5100 ESDD364812	36	48	12	34	46	215
5100 ESDD366012	36	60	12	34	58	225
5100 ESDD424212	42	42	12	40	40	242
5100 ESDD424812	42	48	12	40	46	264
5100 ESDD426012	42	60	12	40	58	315
5100 ESDD484812	48	48	12	46	46	284

Data subject to change without notice.

## Suggested Accessories

