

Weatherproof aluminum junction boxes

The 1300 DWPAL are used as junction boxes in outdoor installations or indoors where dripping water is a problem. These enclosures are designed to protect equipment against rain, sleet and

snow. Enclosures are made from 12 GA aluminum. The box seams are continuously welded to prevent rain, sleet or snow from entering and the oil resistant high quality gasket ensures integrity.

External mounting holes are provided. Boxes are natural aluminum finish.

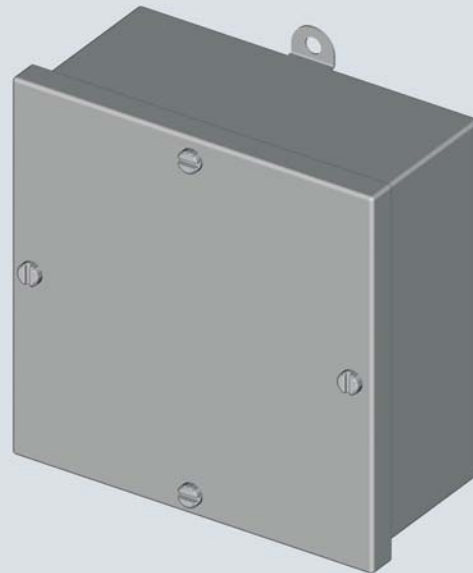
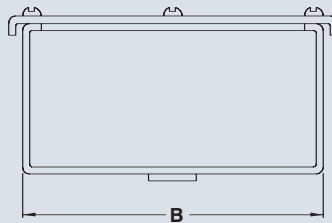
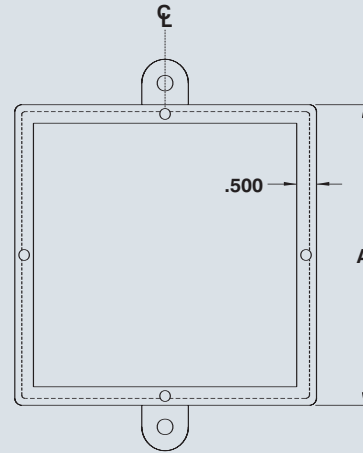
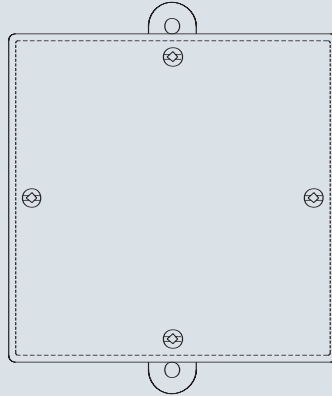
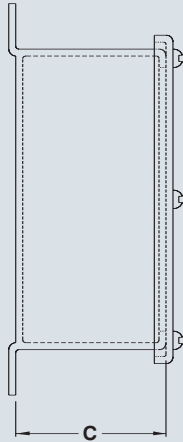
CSA Certified
NEMA 3 / IP64

- Quick Features :**
- Seamless welding
 - Powder coating



Visit www.jimdgray.com for details.

Call us toll free 1-972-699-9976



CATALOG NUMBER	DIMENSIONS			SHIP WGHT LBS.
	A	B	C	
1300 DWPAL080804	8	8	4	2
1300 DWPAL101004	10	10	4	3
1300 DWPAL121204	12	12	4	3
1300 DWPAL080806	8	8	6	2
1300 DWPAL101006	10	10	6	3
1300 DWPAL121206	12	12	6	4
1300 DWPAL101008	10	10	8	6

Data subject to change without notice.

Suggested Accessories



p.369



p.369