

Pull box extension rings / Open bottom pull box

- Quick Features :**
- Extends the depth of pull boxes
 - Can be used as a standalone open bottom pull box
 - Powder coating

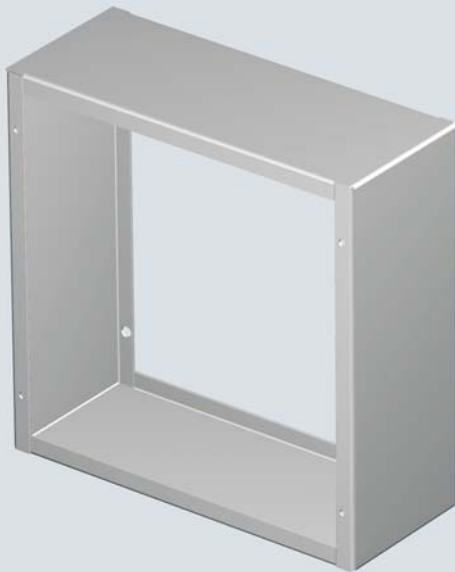
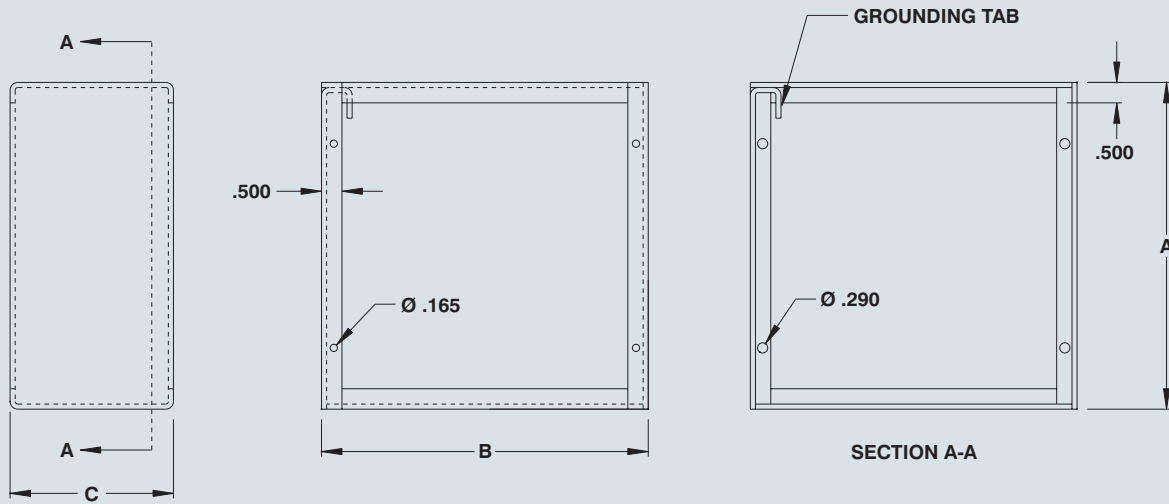
Visit www.jimdgray.com for details.

Call us 1-972-699-9976

The 1100 DER extension rings are installed over 1100 DF pull boxes to extend the depth of the enclosure. Standalone 1100 DER extension rings can also be used for applications which require a pull box with an open bottom. The extension rings are made from 16 GA steel. Four internal mounting holes and bonding

screws are provided. Covers are not included with the 1100 DER. When they are used as extension rings, the cover from the 1100 DF box can be installed on the 1100 DER. When they are used as standalone, open bottom pull boxes, the cover must be ordered separately. (see table)

Enclosures are finished with heat fused polyester powder, electrostatically applied on a phosphatized base. Box is ANSI/ASA 61 gray, panel is white (other colors available).
NEMA 1 / IP20



ENCLOSURE NUMBER	DIMENSIONS			COVER NUMBER †	SHIP WGHT LBS.
	A	B	C		
1100 DER060604	6	6	4	1100 DF0606C	3
1100 DER080804	8	8	4	1100 DF0808C	4
1100 DER101004	10	10	4	1100 DF1010C	6
1100 DER121204	12	12	4	1100 DF1212C	8
1100 DER161604	16	16	4	1100 DF1616C	13
1100 DER181804	18	18	4	1100 DF1818C	16
1100 DER060606	6	6	6	1100 DF0606C	3
1100 DER080806	8	8	6	1100 DF0808C	5
1100 DER101006	10	10	6	1100 DF1010C	7
1100 DER121206	12	12	6	1100 DF1212C	10
1100 DER161606	16	16	6	1100 DF1616C	14
1100 DER181806	18	18	6	1100 DF1818C	17

† If required, covers must be ordered separately.

Data subject to change without notice.

Suggested Accessories



p.126



p.368