

Type WDAL Aluminum Wiring Troughs

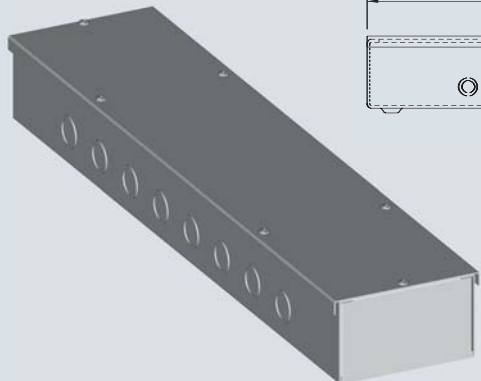
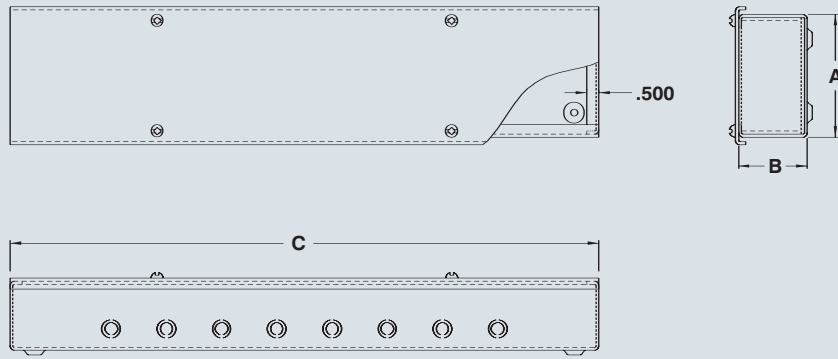
The 1100 WDAL are used as junction or pull boxes and are suitable for surface mounting with a screw cover. Boxes and covers are made from 12 GA alu-

minum. Four internal mounting holes, bonding screw and attachment are provided. Troughs are available with or without knockouts (add suffix "N" to the catalog

number if knockouts are not required). Boxes and covers are natural aluminum finish.

CSA Certified
NEMA 1 / IP20

- Quick Features :**
- Knockout provided
 - 12 GA aluminum

CATALOG NUMBER	DIMENSIONS			SHIP WGHT LBS.
	A	B	C	
1100 WDAL050312	5	3	12	1
1100 WDAL050318	5	3	18	2
1100 WDAL050324	5	3	24	2
1100 WDAL050336	5	3	36	3
1100 WDAL050348	5	3	48	5

The 1100 DAL are used as junction or pull boxes and are suitable for surface mounting with a screw cover. Boxes and covers are made from 12 GA aluminum.

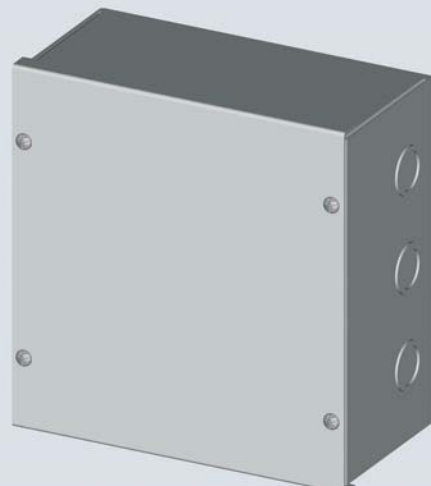
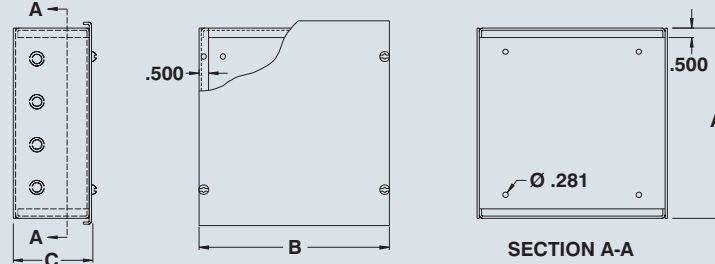
Four internal mounting holes, bonding screw and attachment are provided. Two sides have concentric knockouts (1/2" - 3/4" knockouts are standard) except

as noted. Boxes and covers are natural aluminum finish.

C.S.A. Certified LL44371

Visit www.jimgray.com for details.

Call us 1-972-699-9976

CATALOG NUMBER	DIMENSIONS			SHIP WGHT LBS.
	A	B	C	
1100 DAL060603	6	6	3	1
1100 DAL060604	6	6	4	1
1100 DAL080804	8	8	4	2
1100 DAL101004	10	10	4	2
1100 DAL121204	12	12	4	3
1100 DAL060606	6	6	6	1
1100 DAL080806	8	8	6	2
1100 DAL101006	10	10	6	2
1100 DAL120606	12	6	6	2
1100 DAL121206	12	12	6	3

Data subject to change without notice.